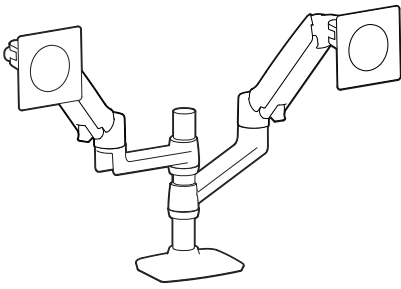
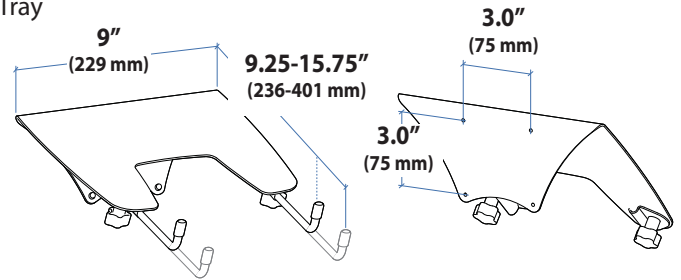


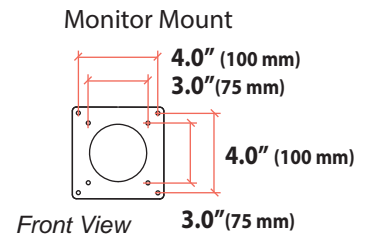
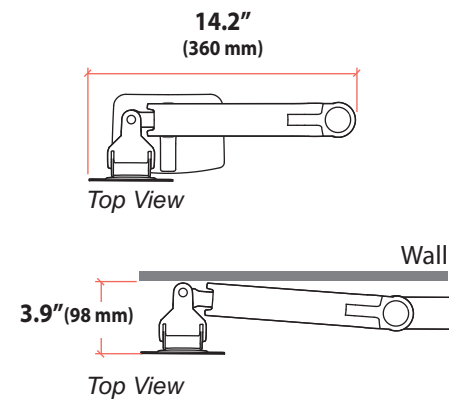
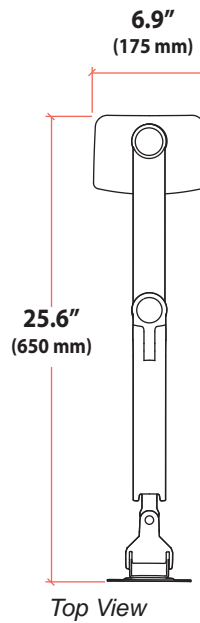
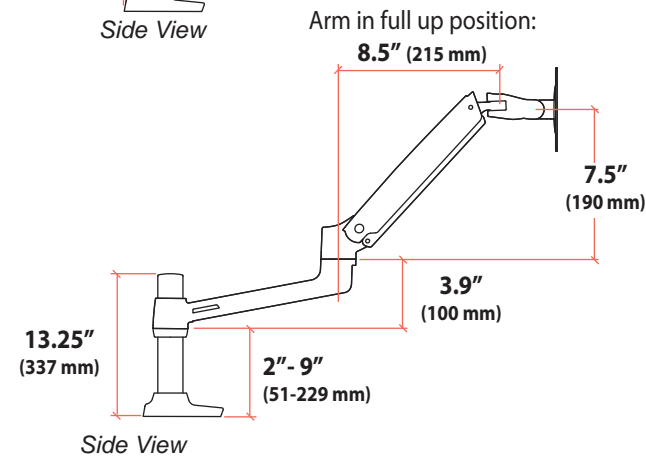
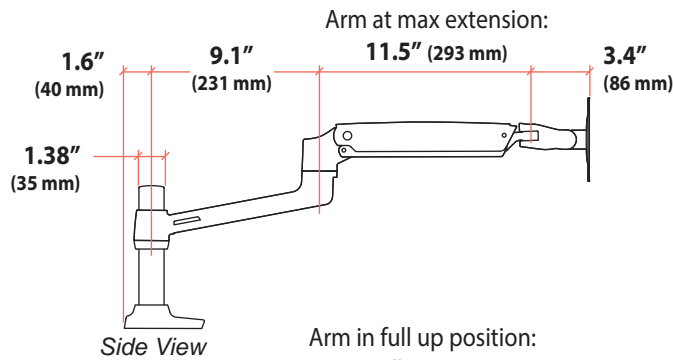
LX Dual Stacking Arm



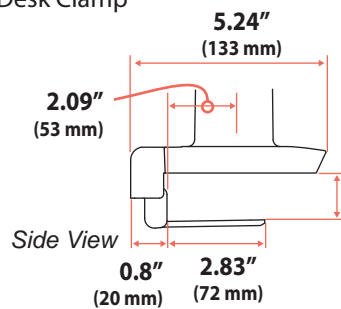
Laptop Tray



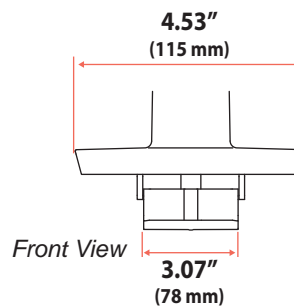
Dimensions



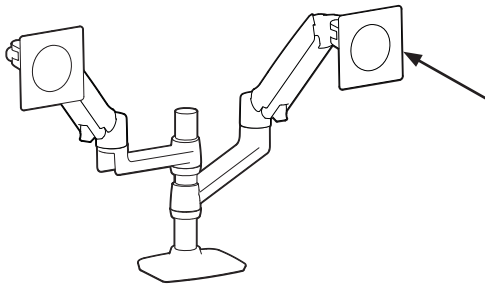
Desk Clamp



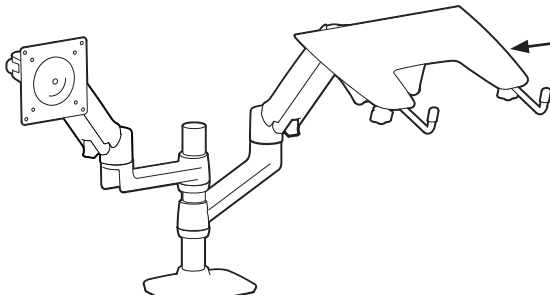
Thin: 12-18 mm (0.47"- 0.71")
or
Medium: 18-25 mm (0.71"- 0.98")
or
Thick: 25-35 mm (0.98"- 1.38")
Product comes with only one of these clamp dimensions. The other size clamps are sold separately.



LX Dual Stacking Arm



Weight Capacity per Monitor
 7 - 20 lbs (3.2 - 9.1 kg)
 Monitor depth greater than 2.5" (64 mm) may diminish capacity.
 Call Ergotron for more information.



Weight Capacity for Laptop Tray
 0.5 - 12 lbs (0.23 - 5.4 kg)

Range of Motion

