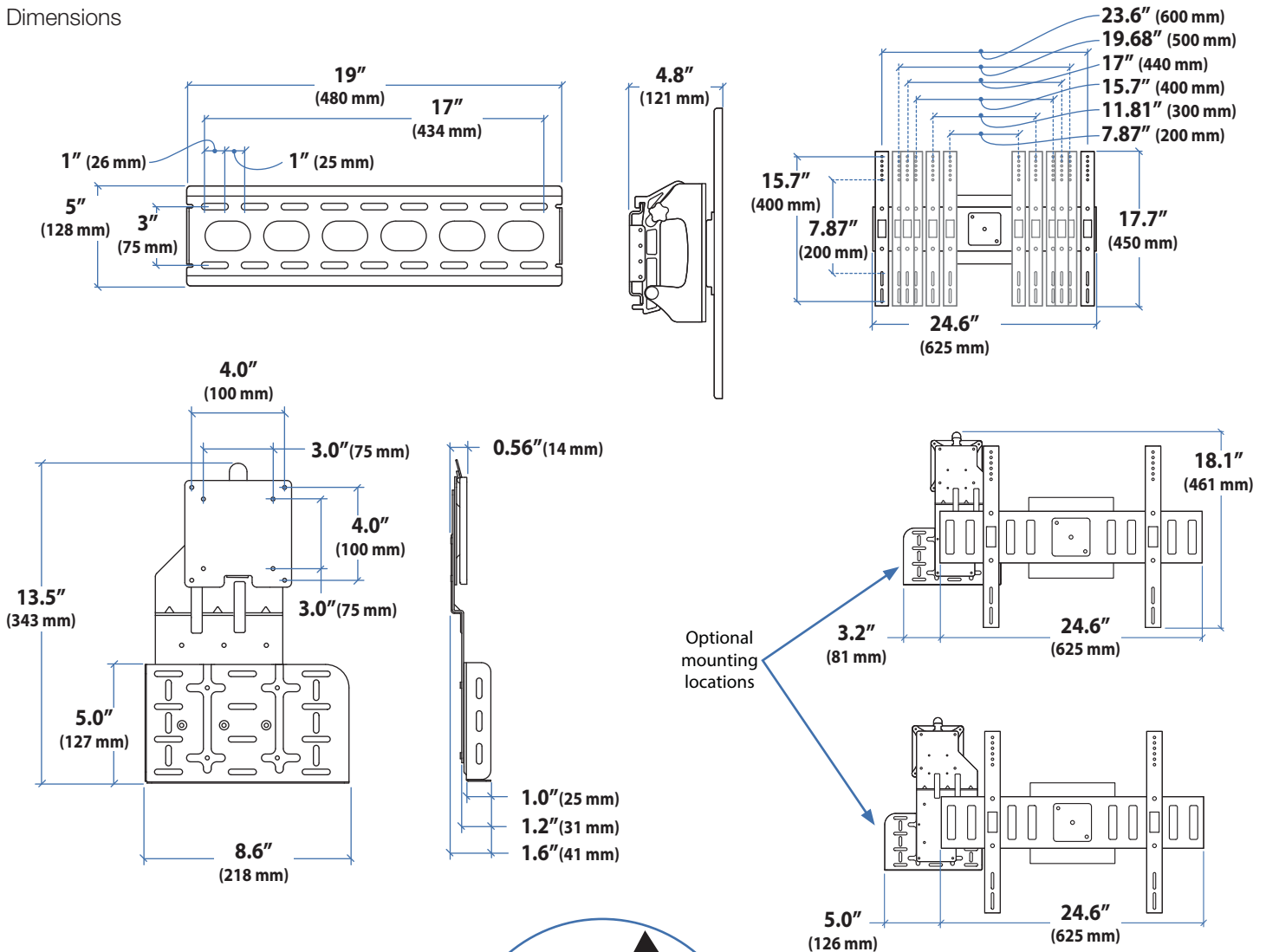


## SIM90 Signage Integration Mount

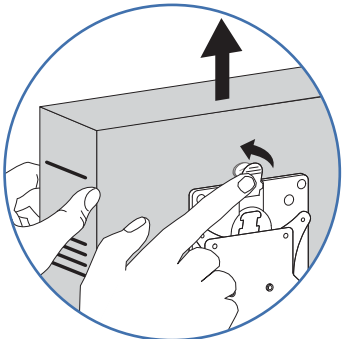
### Dimensions



**Maximum CPU Dimensions**

$\leq 10''$  (254 mm)  
 $\leq 2.6''$  (66 mm)     $\leq 13.5''$  (343 mm)

CPU must be a VESA compliant Thin Client CPU.

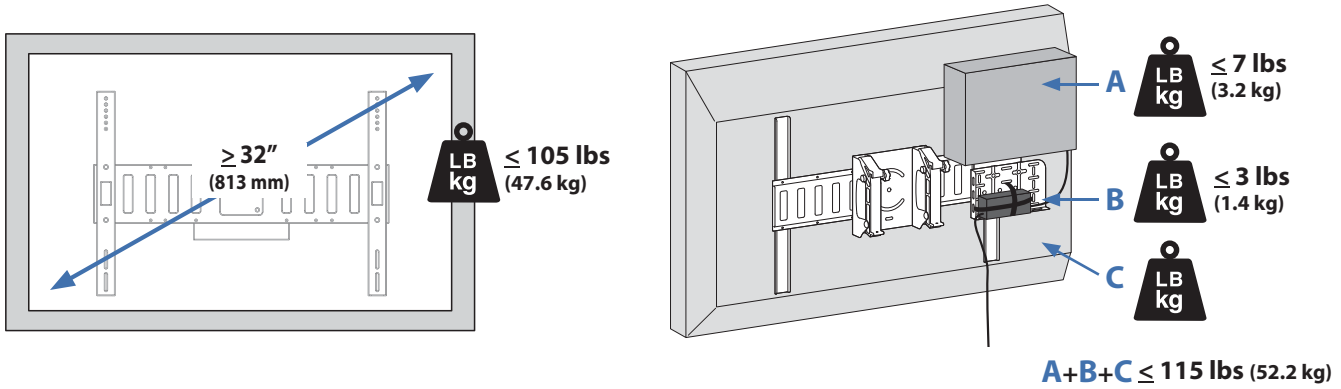


Quick Release bracket for easy CPU attachment and removal. (Can be disabled for theft deterrence.)

© 2009 Ergotron, Inc. rev. 10/07/2019 DIM-SIM90 Content is subject to change without notification

Americas Sales and Corporate Headquarter	EMEA Sales	APAC Sales	Worldwide OEM Sales
St. Paul, MN USA (800) 888-8458 +1-651-681-7600 www.ergotron.com sales@ergotron.com	Amersfoort, The Netherlands +31 33 45 45 600 www.ergotron.com info.eu@ergotron.com	Tokyo, Japan www.ergotron.com apacustomerservice@ergotron.com	www.ergotron.com info.oem@ergotron.com

### Weight Capacity



### Range of Motion

