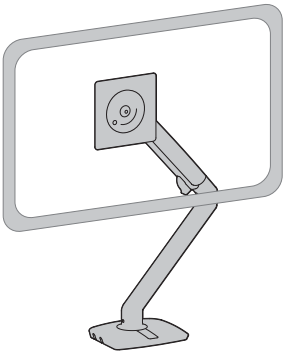


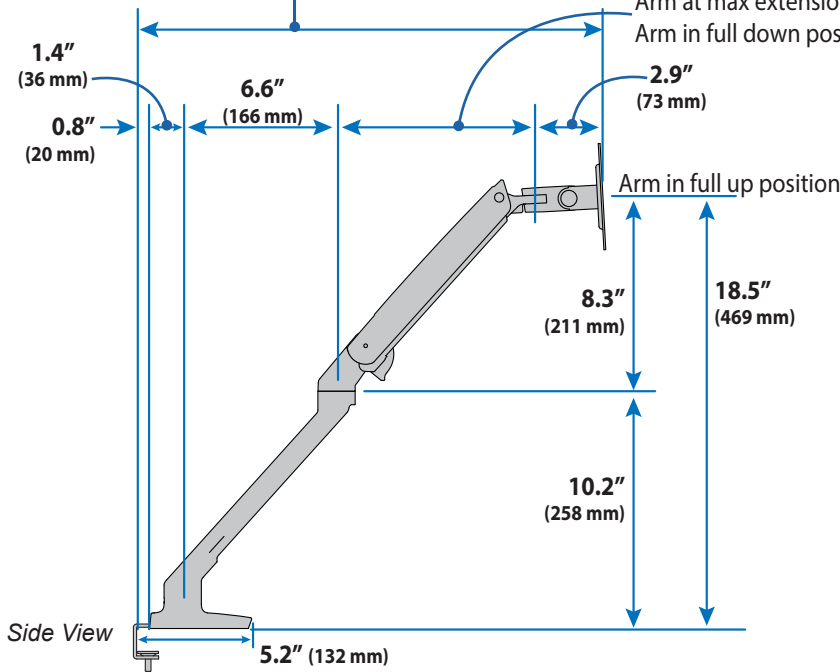
# MXV Desk Monitor Arm with C-Clamp (under mount)



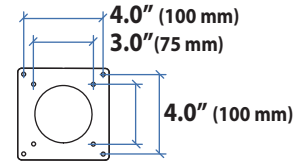
## Dimensions

Arm in full up position: **19.1"** (486 mm)  
 Arm at max extension: **22.2"** (563 mm)  
 Arm in full down position: **19.6"** (498 mm)

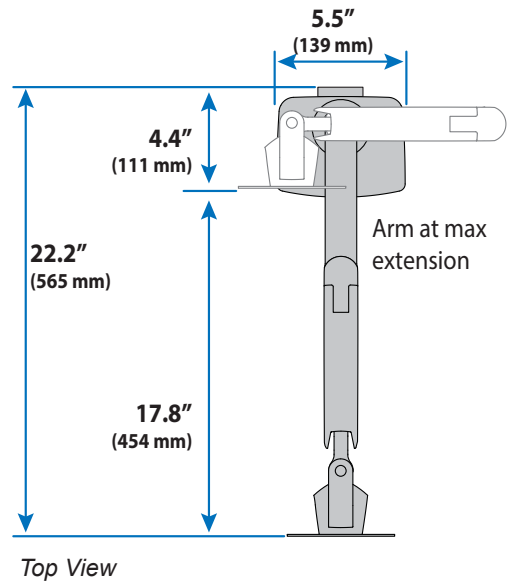
Arm in full up position: **8.2"** (211 mm)  
 Arm at max extension: **11.3"** (287 mm)  
 Arm in full down position: **8.7"** (223 mm)



## Monitor Interface Bracket



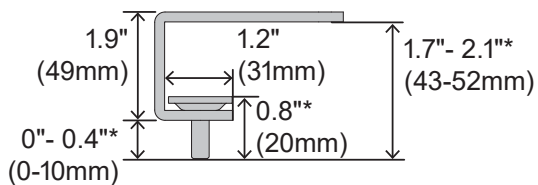
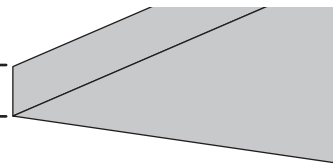
Front View



Top View

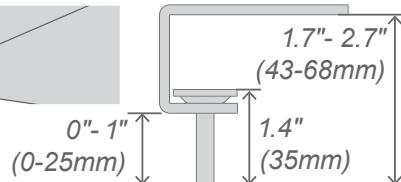
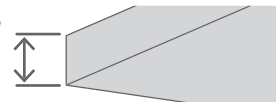
## Desk Thickness

1" - 1.26"\*  
(25-32mm)



\*Optional longer screws can be added for thinner desks:

0.5" - 1.26"  
(12-32mm)



### Americas Sales and Corporate Headquarters

St. Paul, MN USA  
 (800) 888-8458  
 +1-651-681-7600  
 www.ergotron.com  
 sales@ergotron.com

### EMEA Sales

Amersfoort, The Netherlands  
 +31 33 45 45 600  
 www.ergotron.com  
 info.eu@ergotron.com

### APAC Sales

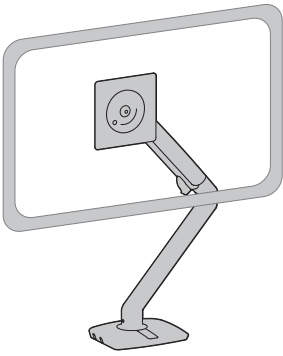
Tokyo, Japan  
 www.ergotron.com  
 japansupport@ergotron.com

### Worldwide OEM Sales

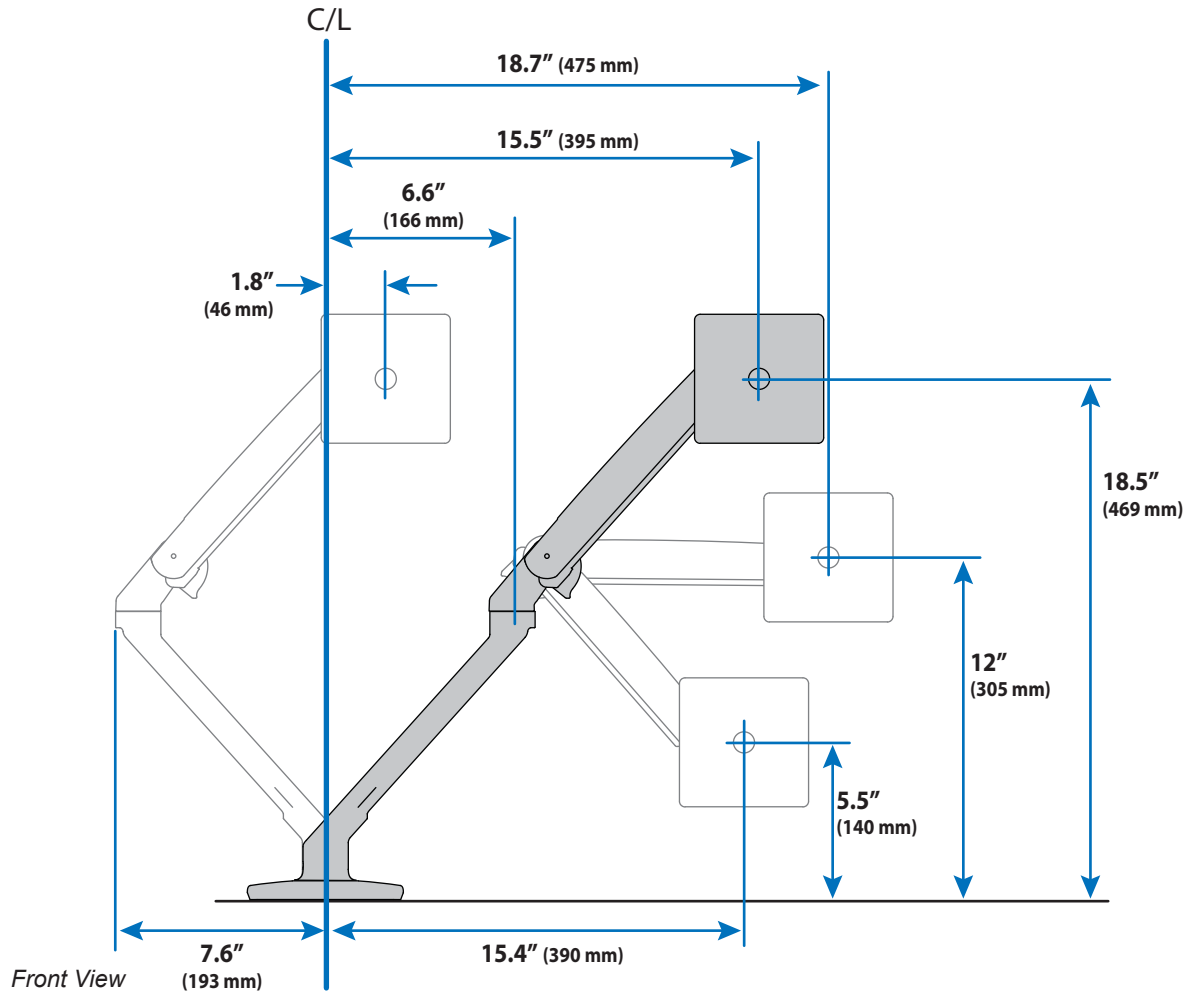
www.ergotron.com  
 info.oem@ergotron.com

# MXV Desk Monitor Arm

with C-Clamp (under mount)



## Dimensions



© 2017 Ergotron, Inc. rev. 01/07/2019 DIM-MXV-Cclamp **Content is subject to change without notification**

**Americas Sales and Corporate Headquarters**

St. Paul, MN USA  
 (800) 888-8458  
 +1-651-681-7600  
 www.ergotron.com  
 sales@ergotron.com

**EMEA Sales**

Amersfoort, The Netherlands  
 +31 33 45 45 600  
 www.ergotron.com  
 info.eu@ergotron.com

**APAC Sales**

Tokyo, Japan  
 www.ergotron.com  
 japansupport@ergotron.com

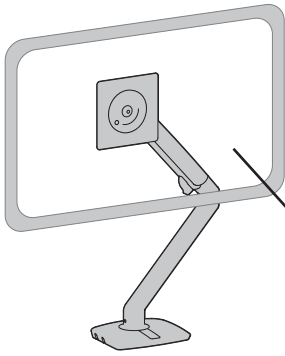
**Worldwide OEM Sales**

www.ergotron.com  
 info.oem@ergotron.com



# MXV Desk Monitor Arm

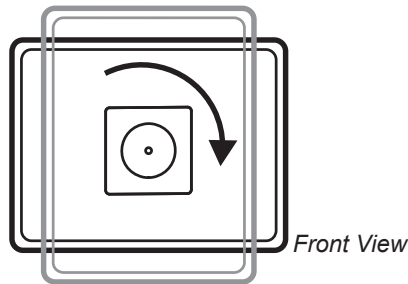
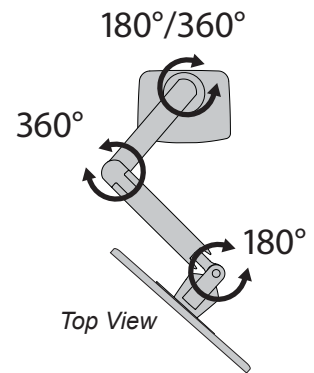
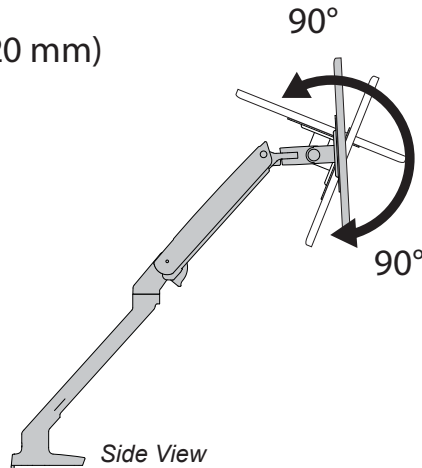
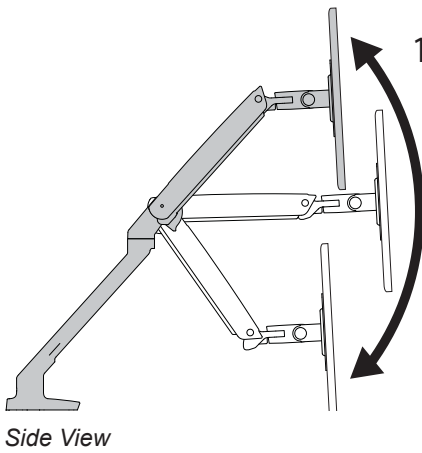
## with C-Clamp (under mount)



**Weight Capacity**  
7 lbs (3.2 kg) - 20 lbs. (9.1 kg)

Monitor depth greater than 2.5" (64 mm) may diminish capacity.  
Call Ergotron for more information.

### Range of Motion



**Portrait/Landscape Rotation.**

**Americas Sales and Corporate Headquarters**

St. Paul, MN USA  
(800) 888-8458  
+1-651-681-7600  
www.ergotron.com  
sales@ergotron.com

**EMEA Sales**

Amersfoort, The Netherlands  
+31 33 45 45 600  
www.ergotron.com  
info.eu@ergotron.com

**APAC Sales**

Tokyo, Japan  
www.ergotron.com  
japansupport@ergotron.com

**Worldwide OEM Sales**

www.ergotron.com  
info.oem@ergotron.com