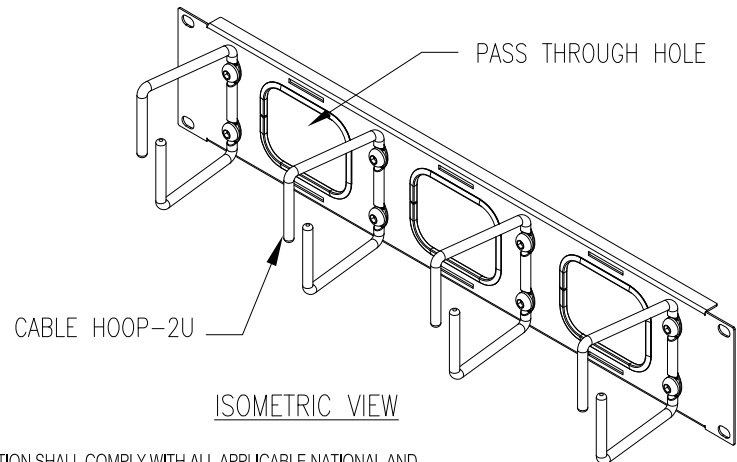
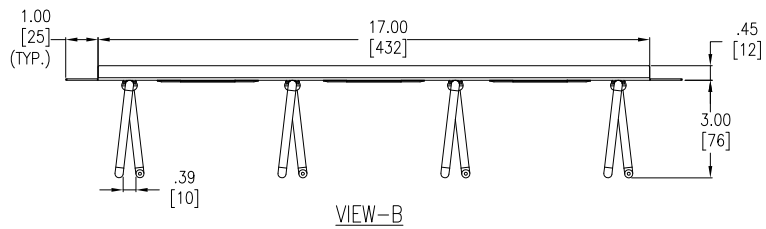
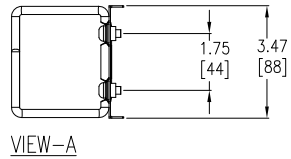
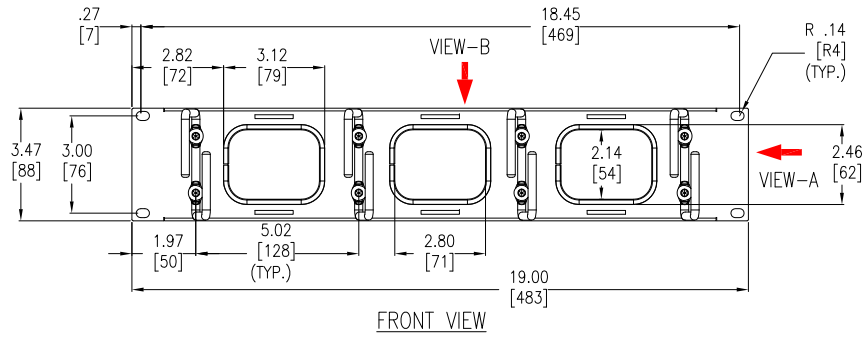


SKU DETAILS

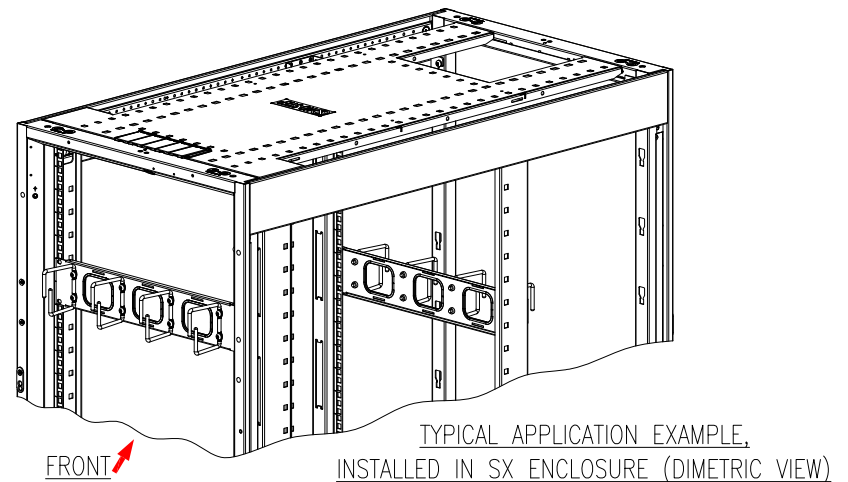
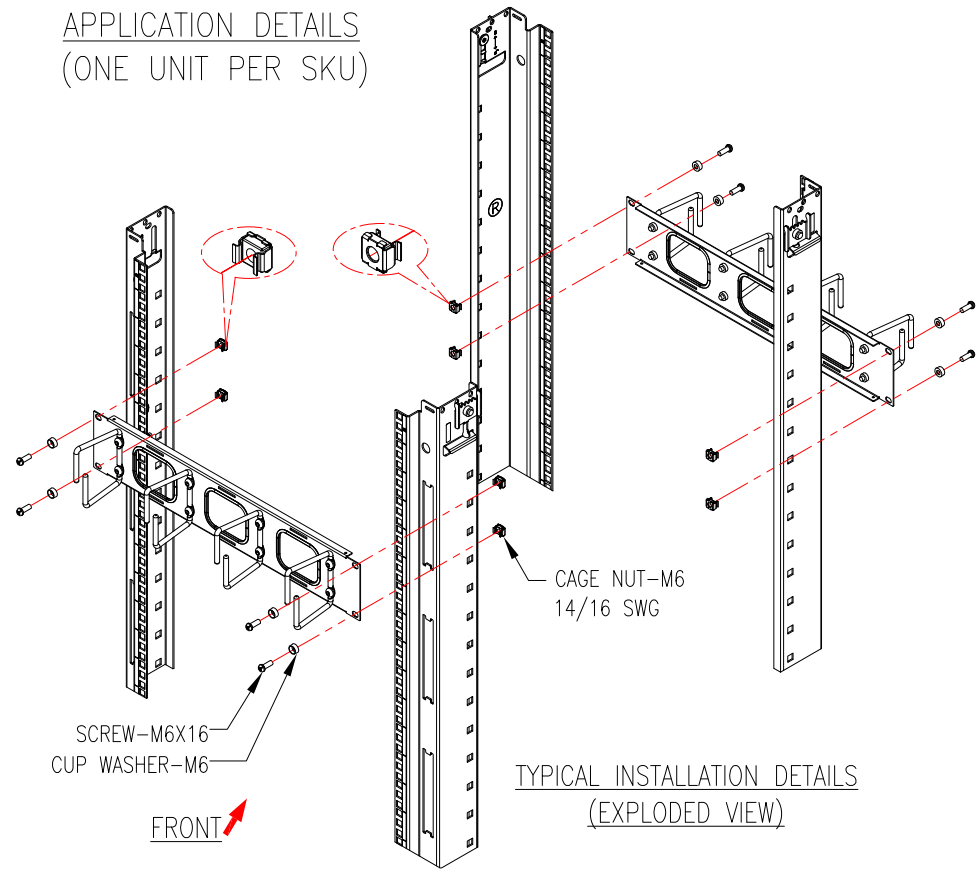


NOTES:

1. INSTALLATION SHALL COMPLY WITH ALL APPLICABLE NATIONAL AND LOCAL CODES.
2. SEE PRODUCT DOCUMENTATION FOR FURTHER INFORMATION.
3. UNLESS OTHERWISE SPECIFIED, ALL DIMENSIONS ARE IN INCHES [MILLIMETERS].
4. EACH SKU INCLUDES ACCESSORIES OF (4) SCREWS, (4) CUP WASHERS & (4) CAGE NUTS.
5. WEIGHT OF UNIT IS 2.1 LBS [0.95 kg].

THIS DRAWING AND SPECIFICATIONS HEREIN ARE THE PROPERTY OF SCHNEIDER ELECTRIC AND SHALL NOT BE COPIED, REPRODUCED OR USED IN WHOLE OR IN PART, AS THE BASIS FOR THE MANUFACTURE OR SALE OF ITEMS WITHOUT WRITTEN PERMISSION FROM SCHNEIDER ELECTRIC. THIS DRAWING IS BASED UPON LATEST AVAILABLE INFORMATION AND IS SUBJECT TO CHANGE WITHOUT NOTICE.

APPLICATION DETAILS (ONE UNIT PER SKU)



Schneider
Electric

TITLE:
2U HORIZONTAL CABLE ORGANIZER
w/ PASS THROUGH HOLES

PROJECT: STD SUBMITTAL DRAWINGS SHEET 1 OF 1

DWG NO: **AR8428**

DRAWN BY: BALAMURUGAN 07-DEC-07

ENGINEER: M UHRHAN/B OLIVER 07-DEC-07

APPROVED BY: B SHENDANE/SILVIA CARRASCO (A04) 07-DEC-07

REV
0

PROJ
ANGLE
N/A