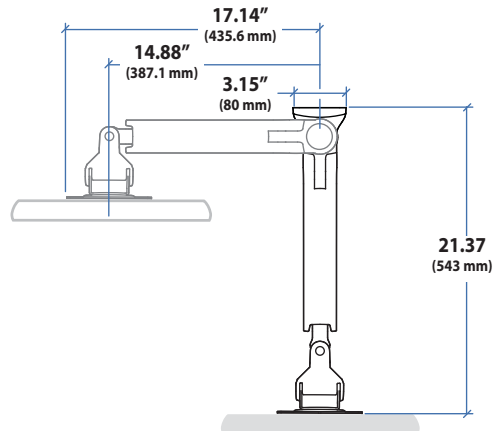
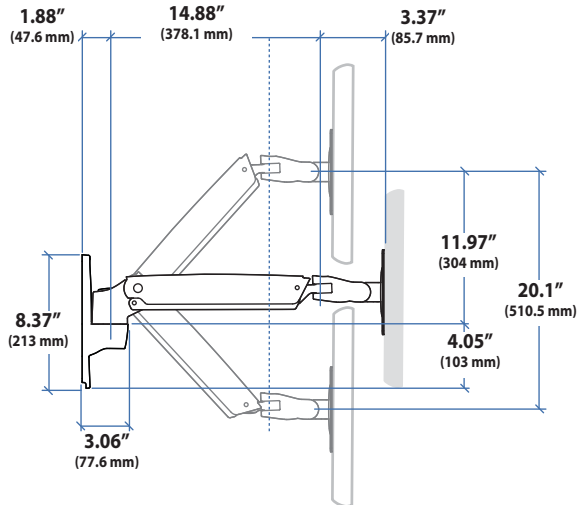


### Interactive Arm LD

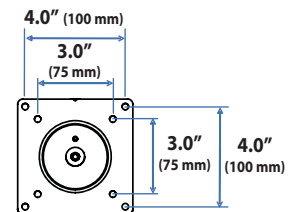
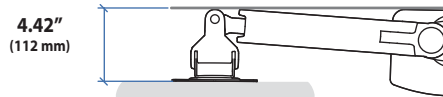
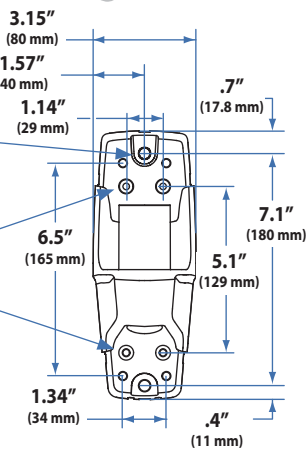
#### Dimensions



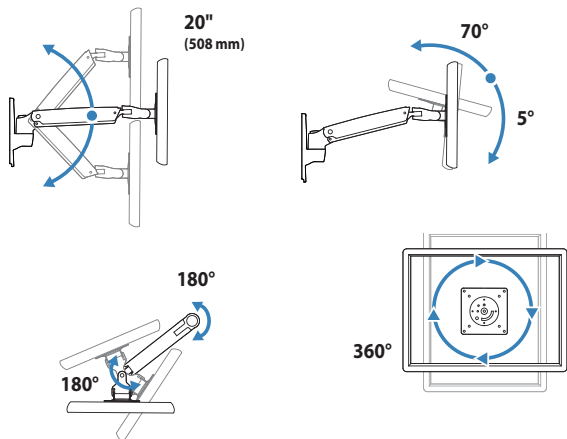
#### Wall Mount Bracket

Stud mounting:  
M8 x 80mm or 5/16" x 3"  
and flat washer 8mm or  
5/16" (2 places)

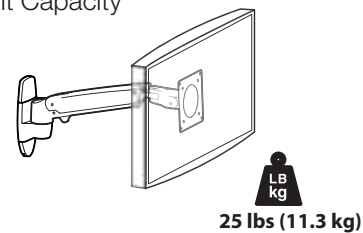
Wall Track mounting:  
Button head cap screw  
#10-24 x 5/8" (4 places)



#### Range of Motion



#### Weight Capacity



Monitor depth greater than 2.5" (64 mm) may diminish capacity.  
Call Ergotron for more information.